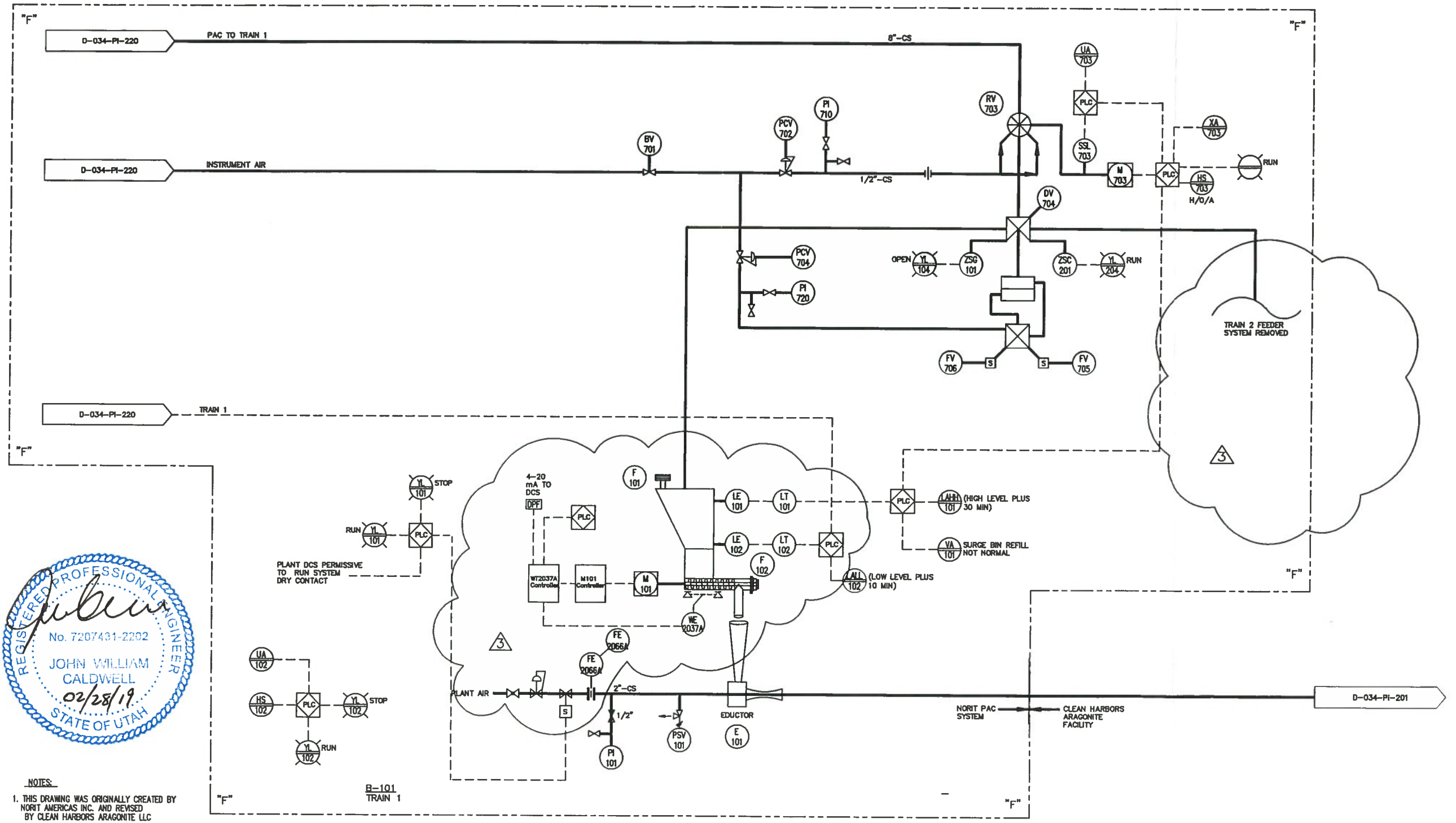


NOTES:
 1. THIS DRAWING WAS ORIGINALLY CREATED BY NORIT AMERICAS INC. AND REVISED BY CLEAN HARBORS ARAGONITE LLC
 2. NORIT AMERICA'S P&ID NUMBERING SYSTEM IS USED INSIDE THEIR PACKAGE LIMITS



REVISIONS						REVISIONS					
NO	DESCRIPTION	DATE	BY	CHK	ENG MGR	NO	DESCRIPTION	DATE	BY	CHK	ENG MGR
1	ADDED LOSS IN WEIGHT, REMOVED BLOWER AND REMOVED TRAIN 2	2-9-05	LOC								
2	303 WAS 301 AND REMOVED PROPRIETARY STATEMENT	02-15-01	GVC	BC							
3	AS BUILT PAC SYSTEM	02-12-01	GVC	BC							
4	INITIAL DESIGN BY NORIT AMERICA	09-28-00	JKM	BC							

APPROVALS	
BY	DATE
DRAIN	
CHECKED	
ELEC	
MECH	
STRUCT	
PROJECT ENG	
ENGINEERING MGR	
AS BUILT	

CleanHarbors
 ARAGONITE LLC
 1000 SOUTH 1000 WEST, SUITE 100, SALT LAKE CITY, UT 84119
 TEL: 801-488-4444 FAX: 801-488-4445
 WWW.CLEANHARBORS.COM

TITLE: UTAH ENVIRONMENTAL SERVICE CENTER
 INCINERATION PLANT FOR INDUSTRIAL WASTES
 PAC DOSING SYSTEM TRAIN 1
 P&ID

FOR: _____ CAD NO.: LC101D
 SCALE: NTS JOB NO: _____
 REGISTERED PROFESSIONAL ENGINEER DATE: _____ Clean Harbors DWG No. D-034-PI-221 REV 3